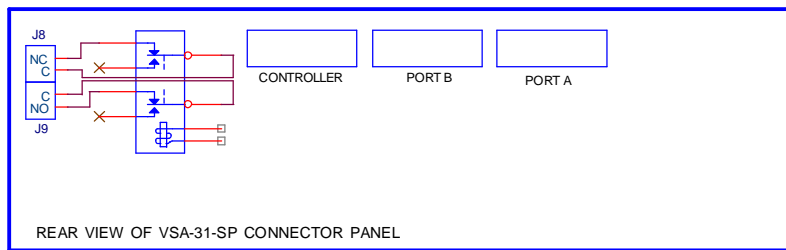


RELAY SHOWN IN DRY AND DE-ENERGIZED STATE



DO NOT EXCEED CONTACT RATINGS OR DAMAGE WILL OCCUR

2 ISOLATED RELAY CONTACTS AVAILABLE
UL Recognized (UL508) .File No. E73266
CSA Certificated (CSA C22.2 No 14) File No. LR46266

Screw Terminal Type Connections, #26 to #16 AWG

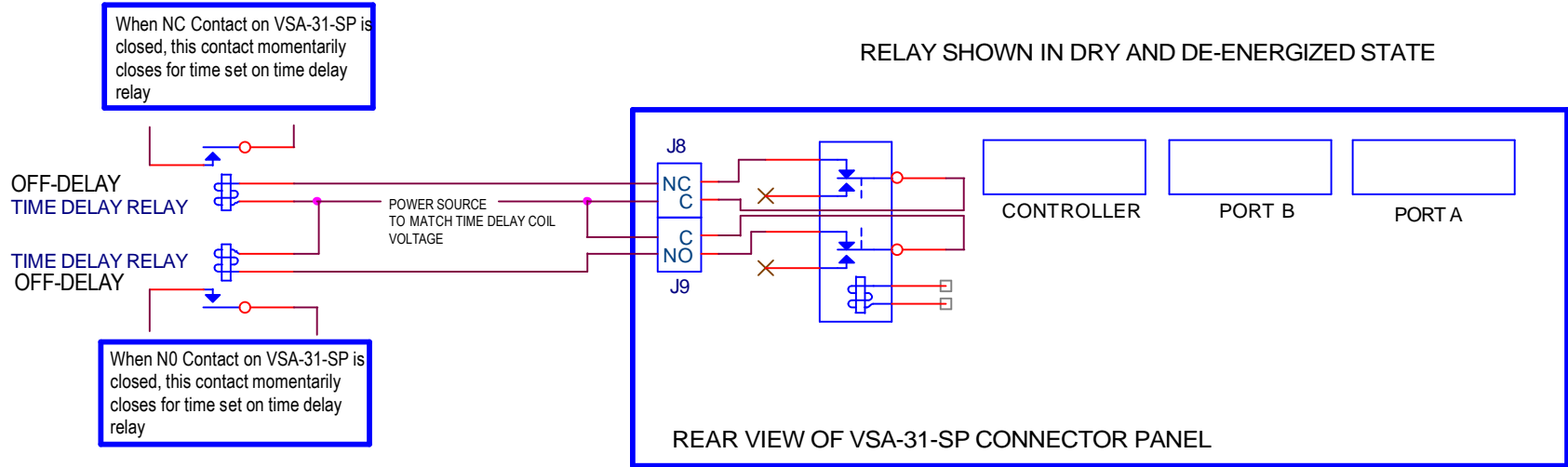
Maximum Ratings:
200 VDC, 250 VAC

Max Switching Current:
30 Vdc, 1A (Resistive)
110 Vdc, 0.3A (Resistive)
125 Vac, 0.5A (Resistive)

- 1) UPON POWER, THE RELAY WILL RETURN TO ITS LAST PROGRAMMED STATE, EITHER ON OR OFF.
- 2) GUI "RELAY OFF" COMMAND WILL DE-ENERGIZE RELAY. (J8 CONTACTS CLOSE, J9 CONTACTS OPEN)
- 3) GUI "RELAY ON" COMMAND WILL ENERGIZE RELAY. (J8 CONTACTS OPEN, J9 CONTACTS CLOSE)
- 4) GUI "RELAY TOGGLE" COMMAND WILL CHANGE RELAY TO ITS OPPOSITE STATE (J8 AND J9 CONTACTS CHANGE TO OPPOSITE STATE)

Hall Research Technologies, Inc.		
Title		
VSA-31-SP RELAY CIRCUIT		
Size	Document Number	Rev
B		-
Date:	Friday, August 14, 2009	Sheet 1 of 1

RELAY SHOWN IN DRY AND DE-ENERGIZED STATE



SAMPLE CIRCUIT TO CHANGE CONTINUOUS CONTACT CLOSURE AT VSA-31-SP TO MOMENTARY CONTACT VIA (2) EXTERNAL TIME DELAY RELAYS

Hall Research Technologies, Inc.		
Title		
VSA-31-SP RELAY CIRCUIT		
Size	Document Number	Rev
A		-
Date:	Friday, August 14, 2009	Sheet 1 of 1