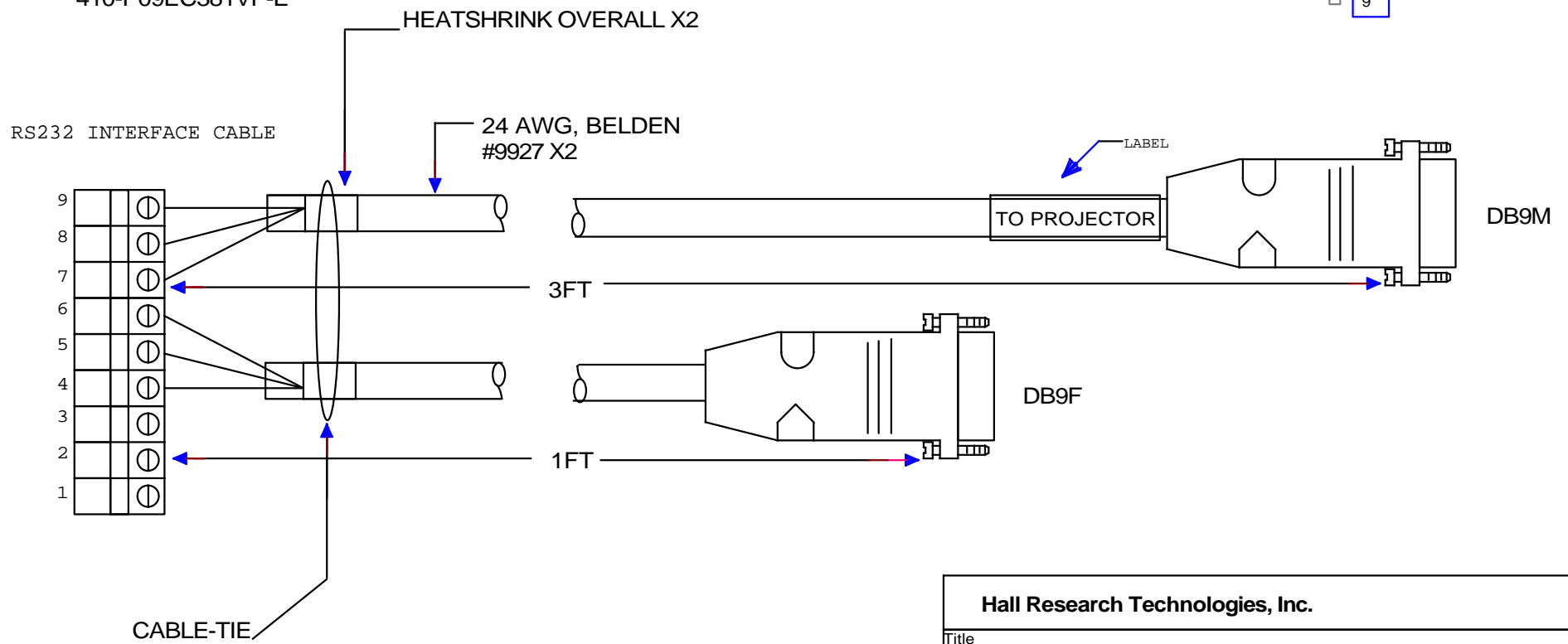
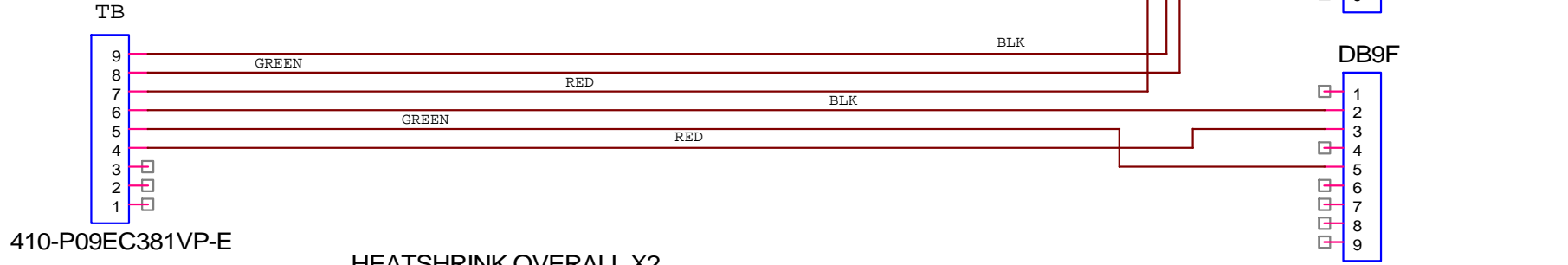


NOTE:
 Strip the overall cable insulation back 1-1/2".
 To insure a solid connection, strip wire insulation
 1/2", then fold back 1/4" and tin.
 Then securely tighten each wire with screw into the
 terminal block.

Strip the overall cable
 insulation back 1".



Hall Research Technologies, Inc.		
Title Cable, 9-pin Terminal Block to two RS232 (DB9F) Connectors		
Size A	Document Number CA10217	Rev B
Date: Thursday, September 15, 2016 Sheet 1 of 1		